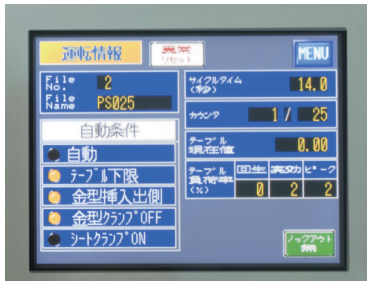


WAKITEC ULTRA-COMPACT HOT PLATE FORMING MACHINE

TYPE / HPT-400A



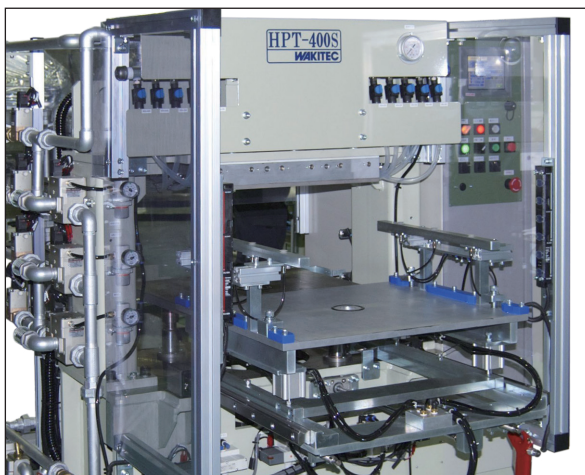
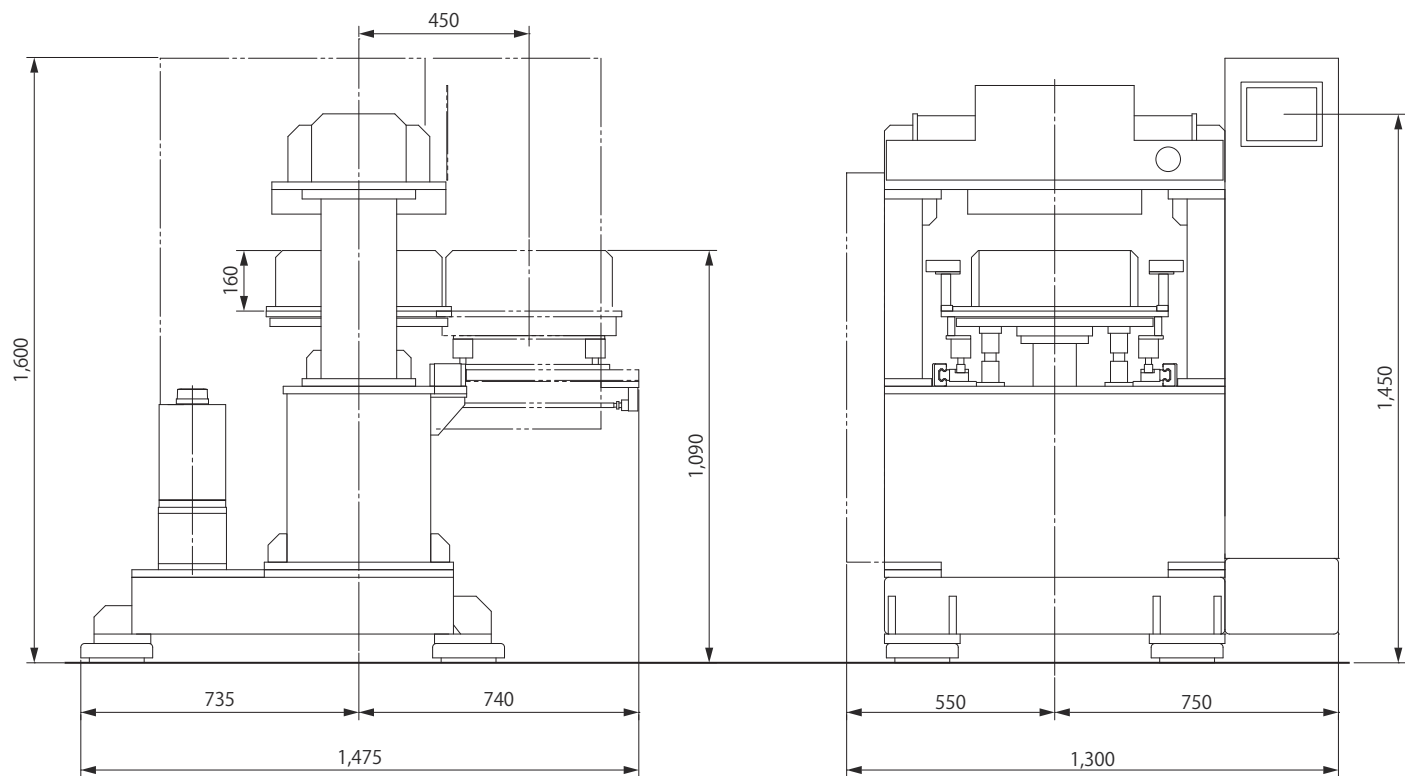
Operating Monitor Screen



Features

- Optimally suited to multi-product small lots
- Hot plate is installed in the upper section and mold in the lower section, allowing forming with minimal strokes
- Vertical movement of the mold is driven by servomotor and ball screw, with numerical controllable speed and position values
- Compact, space-saving design
- Mold mounting frame (sold separately) enables compatibility with every type of mold
- Mold can be removed when offline, making mold change extremely simple
- The above built-in features make this machine ideal for test forming during new product development, mold accuracy checks, and similar purposes.

HPT-400A TYPE Outline Drawing



Before installing mold



Mold installed

MAIN SPECIFICATIONS

Forming area	Maximum 400mm(L) × 400mm(W)
Forming pressure	6,000Kg/f
Mold vertical stroke	Maximum 100mm
Mold vertical drive	Drive system using servomotor and ball screw
Machine weight	1.3t (including attached vacuum pump)
Power supply	AC 3-phase, 200V, 50/60Hz, Total capacity 13kW
Operating air	700ℓ/min (5kg/cm ² or more)


 株式会社 脇坂エンジニアリング **WAKITEC**
WAKISAKA ENGINEERING CO.,LTD.

Head Office / Factory

3-16-38 Hishie, Higashiosaka, Osaka 578-0984, JAPAN

TEL 81-72-965-6540 FAX 81-72-965-6676

URL <https://wakitec.co.jp> E-mail info@wakitec.co.jp