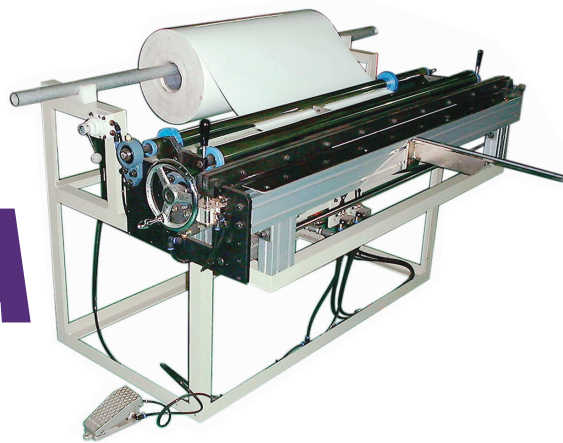


WAKITEC

TYPE / FVS-500A

ULTRA-COMPACT VACUUM PRESSURE FORMING MACHINE

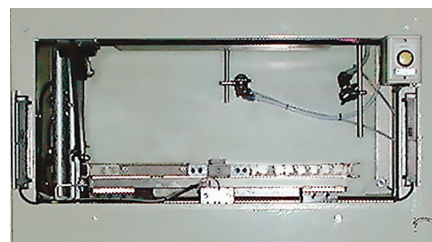


Roll Sheet Cutting Device

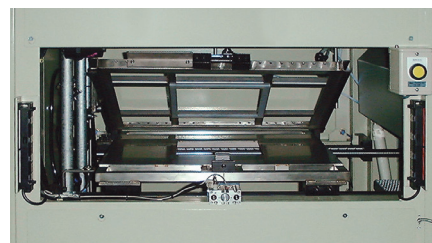
Performs slitting across sheet width at the same time as cutting sheet length.



Operating touch panel



Forming chamber

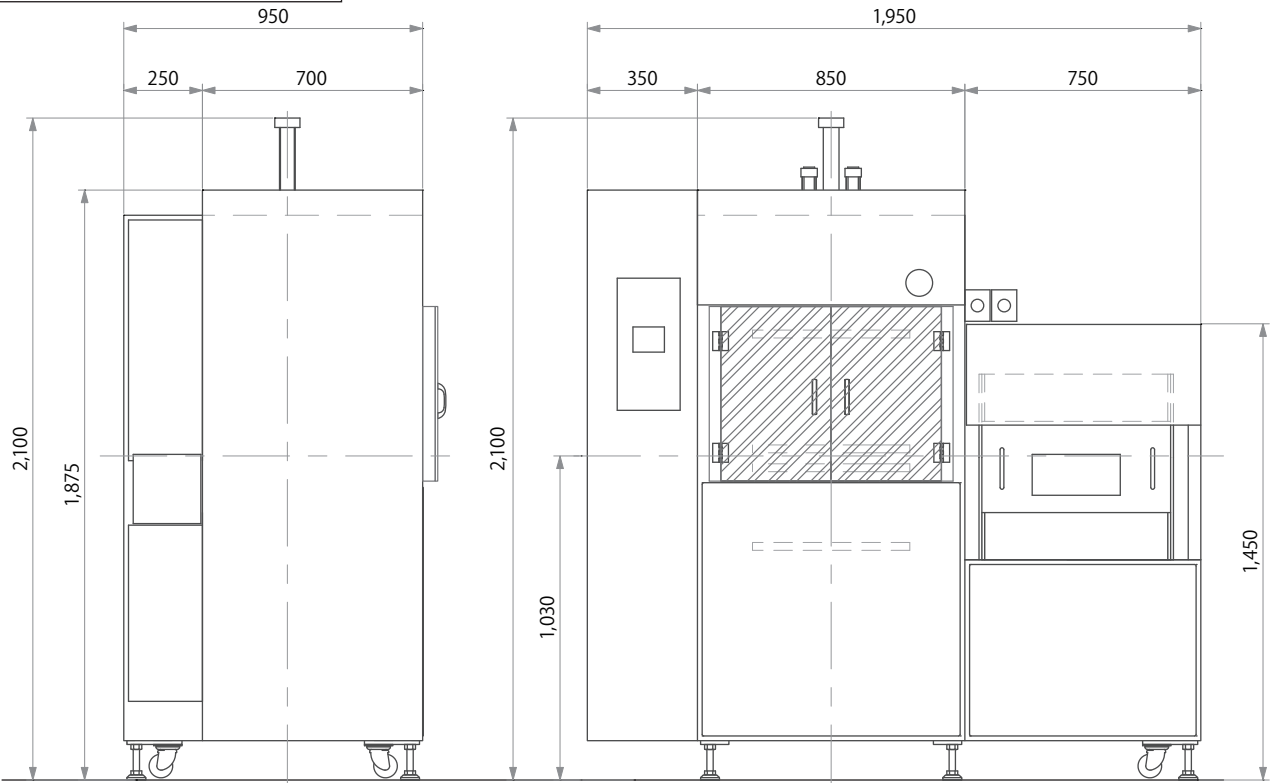


With sheet mounting frame open

Features

- Ultra-compact vacuum pressure forming machine, developed for test forming use. Forms using cut sheets.
- Vertical movement of the mold and left-right movement of the sheet are driven by servomotor, and the sheet returns to the forming zone at high speed after heating is complete. Forming operations can also be performed at high speed.
- Forming conditions such as the mold stopping position, movement speed, heater and timer conditions can be set by entering values via the touch panel. Values can also be stored and recalled.

FVS-500A TYPE Outline Drawing



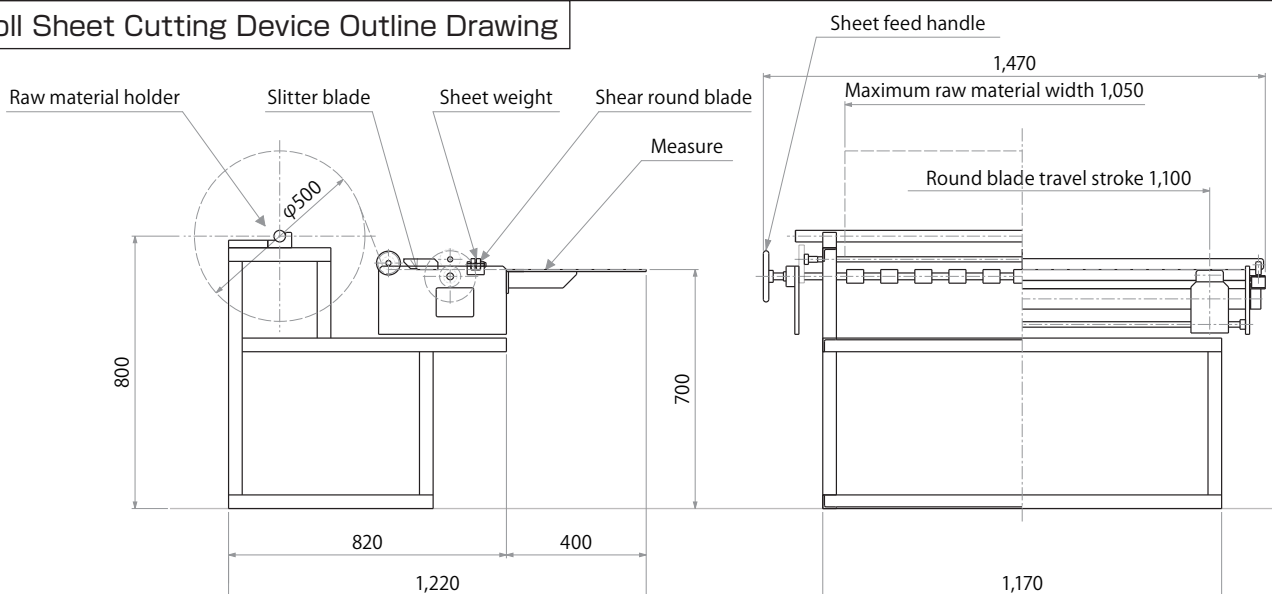
FVS-500A TYPE Main Specifications

Forming Area	Maximum 500 mm (L) × 500 mm (W)
Forming product height	Maximum 100 mm
Forming pressure	5,000Kg/f
Forming space	1,950 mm × 950 mm × 2100 mm
Machine weight	1.8t (including attached vacuum pump)
Power supply	AC 3-phase, 200V, 50/60Hz, Total capacity 28.0kW
Operating air	100ℓ/min (5kg/oil or more)

Maximum raw material width	1,050 mm
Widthwise slitting	Bisection slits, or Trisection slits
Sheet feed	Manual handle operation
Lengthwise cutting	Cutter travel via cylinder
Machine weight	0.3t
Power supply	AC single phase, 100V, 50/60Hz, Total capacity 0.35kW
Operating air	100ℓ/min (5kg/oil or more)

Roll Sheet Cutting Device Main Specifications

Roll Sheet Cutting Device Outline Drawing




 株式会社 脇坂エンジニアリング **WAKITEC**
WAKISAKA ENGINEERING CO.,LTD.

Head Office / Factory

3-16-38 Hishie, Higashiosaka, Osaka 578-0984, JAPAN

TEL 81-72-965-6540 FAX 81-72-965-6676

URL <http://www.wakitec.co.jp> E-mail info@wakitec.co.jp