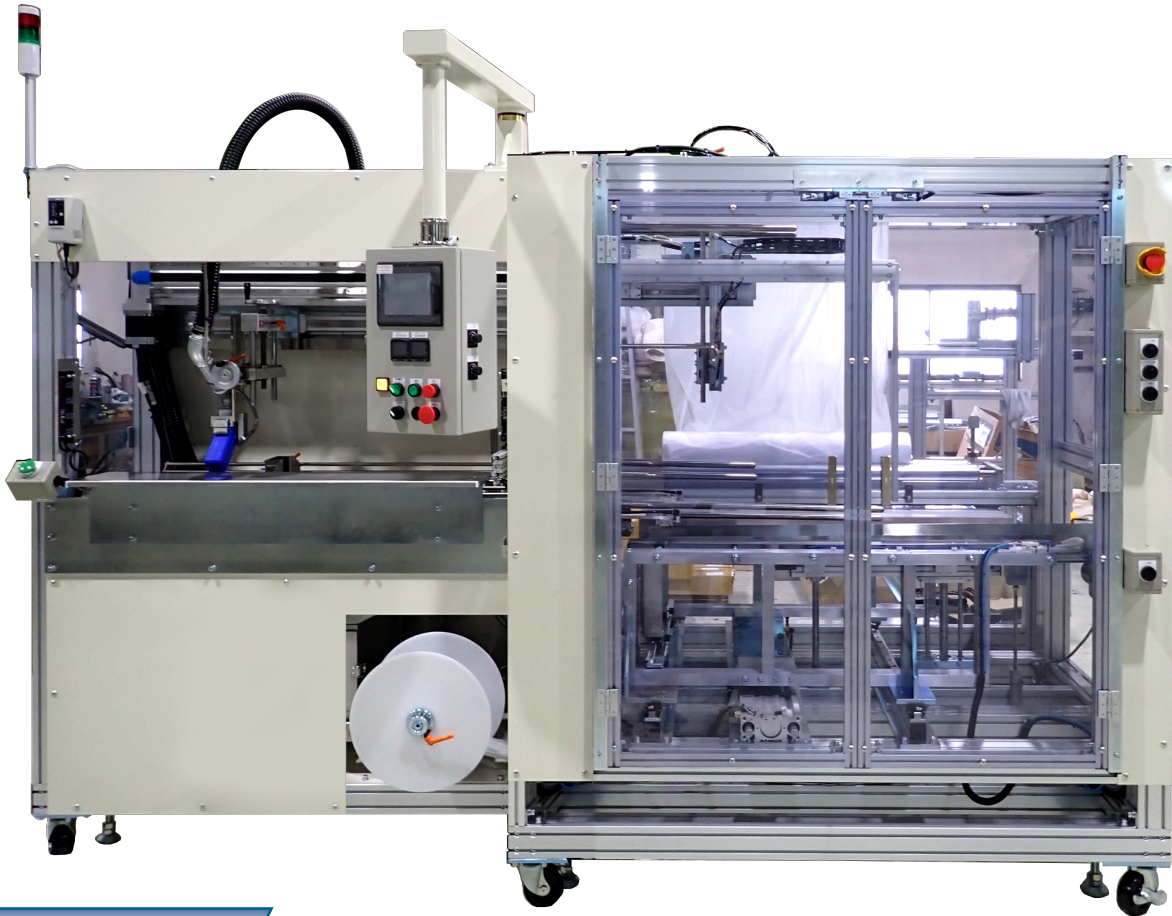


# WAKITEC

## DUST PURGE & PACKING -VERTICAL NEW LONG DOUBLE

# DPP-VNLD

## VERTICAL FILM FEED PACKING MACHINE



### Features

#### ● Compatible with both single-ended and three-side sealing

This machine allows single-ended sealing of the outer packaging bag of a product, leaving one side unsealed. Conventional sealed bags need to be manually cut or torn open, in some cases introducing the risk of new foreign matter contamination, which single-ended sealing completely eliminates. This efficient packing system is also suitable for downstream container filling processes.

#### ● Stable conveyance of rollable round products and small-diameter products

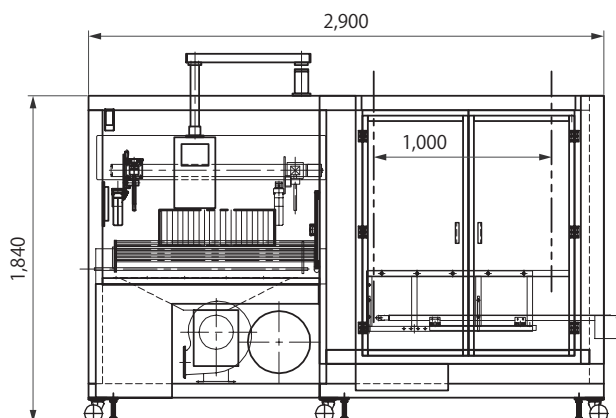
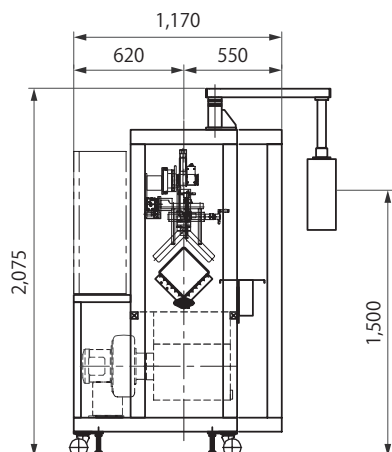
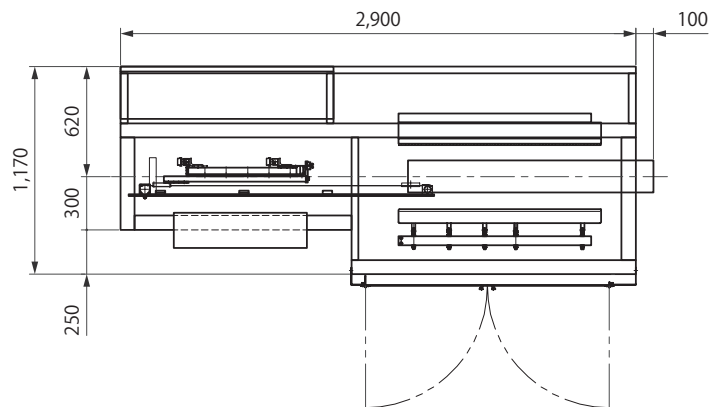
During horizontal movement, products are held securely in place at the front and rear while being conveyed. This enables stable packing of easily scattered small-diameter products and round products.

#### ● Achieves both high-quality sealing and reduced film consumption

This machine employs a top-feed film mechanism during the packing process, allowing sealing while maintaining constant film tension. This minimizes variation and achieves stable, high-quality packing. In addition, the single-ended sealing system utilizes the entire film, generating no scrap and eliminating the need for scrap changeover.

**WAKISAKA ENGINEERING CO.,LTD. WAKITEC**

DPP-VNLD TYPE External Drawing



Standard Specifications

Product size	Maximum 200mm(H) × 150mm(W) Minimum 80mm(H) × 80mm(W)
Product stacking length	300~650mm(L)
Stacking pitch of integrated products	1~10mm
Packaging film (Raw film)	Double-folded rolled sheets Maximum 650mm(W) × φ250mm (winding diameter)
Processing capacity (Maximum)	6 seconds / 1 unit
Machine weight	1.2t
Power supply	AC 3-phase, 200V, 50/60Hz, Total capacity 14kVA(50A)
Operating air	100ℓ/min (minimum of 5kg/cm <sup>2</sup> )

